

WORLD PARA-TAEKWONDO CHAMPIONSHIPS(POOMSAE)

Medal Standing

RANK	NOC	COUNTRY	GOLD	SILVER	BRONZE
1	RUS	Russian Federation	2	3	2
2	GBR	Great Britain	2	1	0
3	TUR	Turkey	1	2	2
4	CRO	Croatia	1	0	4
5	BLR	Belarus	1	0	0
6	COL	Colombia	1	0	0
7	AUS	Australia	1	0	0
8	MAR	Morocco	1	0	0
9	GER	Germany	1	0	0
10	CHI	Chile	1	0	0
11	PUR	Puerto Rico	1	0	0
12	ECU	Ecuador	1	0	0
13	ITA	Italy	0	1	2
14	POL	Poland	0	1	2
15	MEX	Mexico	0	1	1
16	USA	United States of America	0	1	0
17	HON	Honduras	0	1	0
18	CZE	Czech Republic	0	1	0
19	BEL	Belgium	0	0	2
20	UKR	Ukraine	0	0	2
21	NEP	Nepal	0	0	1
22	KAZ	Kazakhstan	0	0	1
23	SVK	Slovakia	0	0	1



WORLD PARA-TAEKWONDO CHAMPIONSHIPS(POOMSAE)

MEDALIST				Male Under 30
RANK	NOC	COUNTRY	NAME	DATE
1	ECU	Ecuador	Edison CHIGUANO	2019.02.05
2	MEX	Mexico	Alejandro GUTIERREZ	2019.02.05
3	ITA	Italy	Cianciotto MICHELE	2019.02.05
3	RUS	Russian Federation	Kirill ARUTIUNOV	2019.02.05

MEDALIST				Female Under 30
RANK	NOC	COUNTRY	NAME	DATE
1	CHI	Chile	Paloma MARTINEZ	2019.02.05
2	TUR	Turkey	Sibel KOLUMAN	2019.02.05
3	RUS	Russian Federation	Elizaveta POPOVA	2019.02.05
3	BEL	Belgium	Melissa ENGELS	2019.02.05

MEDALIST				Male Over 30
RANK	NOC	COUNTRY	NAME	DATE
1	GER	Germany	Christopher FROEMMGEN	2019.02.05
2	HON	Honduras	Guillermo ERAZO SCHAUER	2019.02.05
3	POL	Poland	Mariusz MAKA	2019.02.05
3	CRO	Croatia	Mario KOMORCEC	2019.02.05

MEDALIST				Female Over 30
RANK	NOC	COUNTRY	NAME	DATE
1	COL	Colombia	Jhormary ROJAS	2019.02.05
2	POL	Poland	Agnieszka KMIEC	2019.02.05
3	CRO	Croatia	Biserka SAMBOL	2019.02.05
3	POL	Poland	Anna SIWKO	2019.02.05

MEDALIST				Male Junior
RANK	NOC	COUNTRY	NAME	DATE
1	GBR	Great Britain	Bradley BROCKIES	2019.02.05
2	GBR	Great Britain	Kieran WROE	2019.02.05
3	SVK	Slovakia	Tomas MRAVEC	2019.02.05
3	TUR	Turkey	Yasir YAVUZ	2019.02.05

MEDALIST				Female Junior
RANK	NOC	COUNTRY	NAME	DATE
1	TUR	Turkey	Fatima Kevser KIDEYS	2019.02.05
2	TUR	Turkey	Elif Su PEKGOZ	2019.02.05
3	BEL	Belgium	Hasna BEN AYAD	2019.02.05

MEDALIST				Male - P31
RANK	NOC	COUNTRY	NAME	DATE
1	MAR	Morocco	Khandoouch AYOUB	2019.02.05
2	RUS	Russian Federation	Andrei TITOV	2019.02.05
3	KAZ	Kazakhstan	Karen OVSEPYAN	2019.02.05

MEDALIST				Female - P31
RANK	NOC	COUNTRY	NAME	DATE
1	PUR	Puerto Rico	Xiomara ROBLES	2019.02.05
2	RUS	Russian Federation	Stefanida STRIUKOVA	2019.02.05
3	UKR	Ukraine	Inna TROKHYMENKO	2019.02.05

MEDALIST (TOURNAMENT)				Male - P32
RANK	NOC	COUNTRY	NAME	DATE
1	RUS	Russian Federation	Andrei GRABOVSKII	2019.02.05
2	ITA	Italy	Riccardo ZIMMERMAN	2019.02.05
3	CRO	Croatia	Domagoj VUJCIC	2019.02.05
3	NEP	Nepal	Bikram SHRESTHA	2019.02.05

MEDALIST				Female - P32
RANK	NOC	COUNTRY	NAME	DATE
1	CRO	Croatia	Senada HALILCEVIC	2019.02.05

MEDALIST				Male - P33
RANK	NOC	COUNTRY	NAME	DATE
1	RUS	Russian Federation	Valentin KONDRATENKO	2019.02.05
2	RUS	Russian Federation	Igor GAFUROV	2019.02.05
3	ITA	Italy	Giovanni SUNSERI	2019.02.05
3	TUR	Turkey	Fahrettin KARABAG	2019.02.05

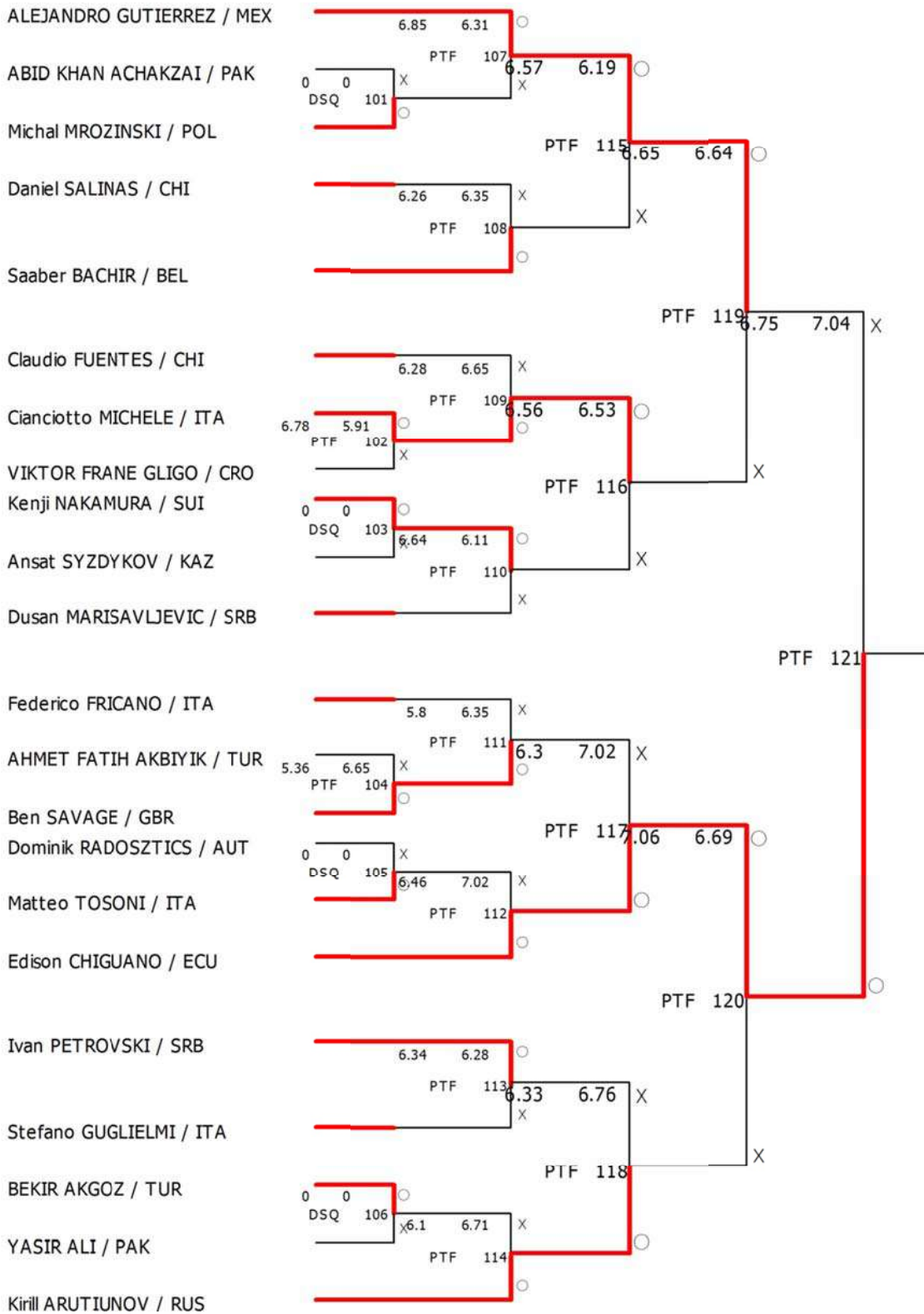
MEDALIST				Female - P33
RANK	NOC	COUNTRY	NAME	DATE
1	GBR	Great Britain	Samantha CARRINGT	2019.02.05
2	USA	United States of America	Iris FUENTES	2019.02.05

MEDALIST				Male - P34
RANK	NOC	COUNTRY	NAME	DATE
1	BLR	Belarus	Aliaksandr DANILIUK	2019.02.05

MEDALIST				Female - P34
RANK	NOC	COUNTRY	NAME	DATE
1	AUS	Australia	Janine WATSON	2019.02.05
2	CZE	Czech Republic	Lenka SIMECKOVA	2019.02.05
3	UKR	Ukraine	Ivanna TSAPTSINA	2019.02.05
3	CRO	Croatia	Senada HALILCEVIC	2019.02.05

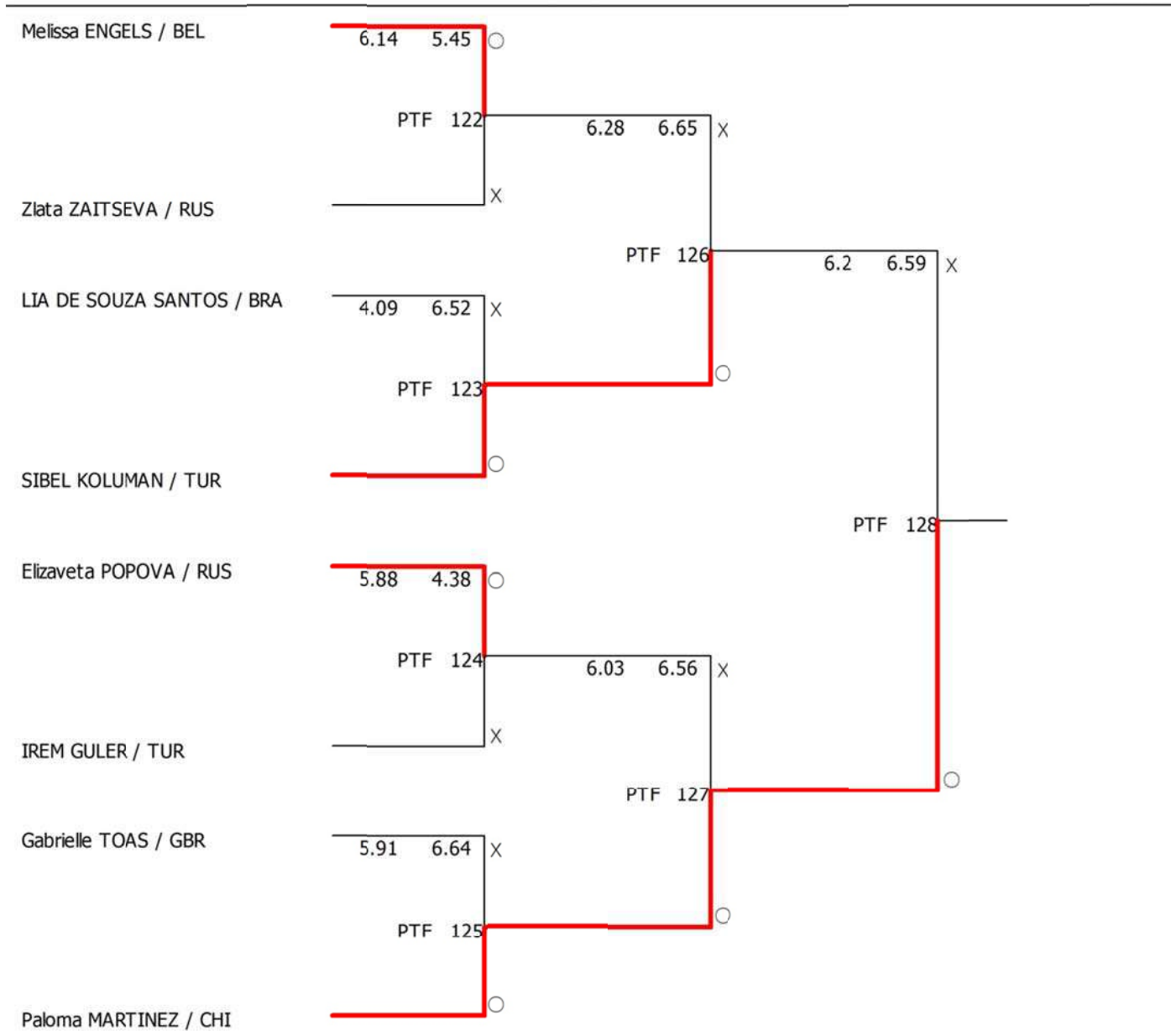
8th WORLD PARA-TAEKWONDO CHAMPIONSHIPS(Poomsae)

PARA Poomsae/P20/Male Under 30



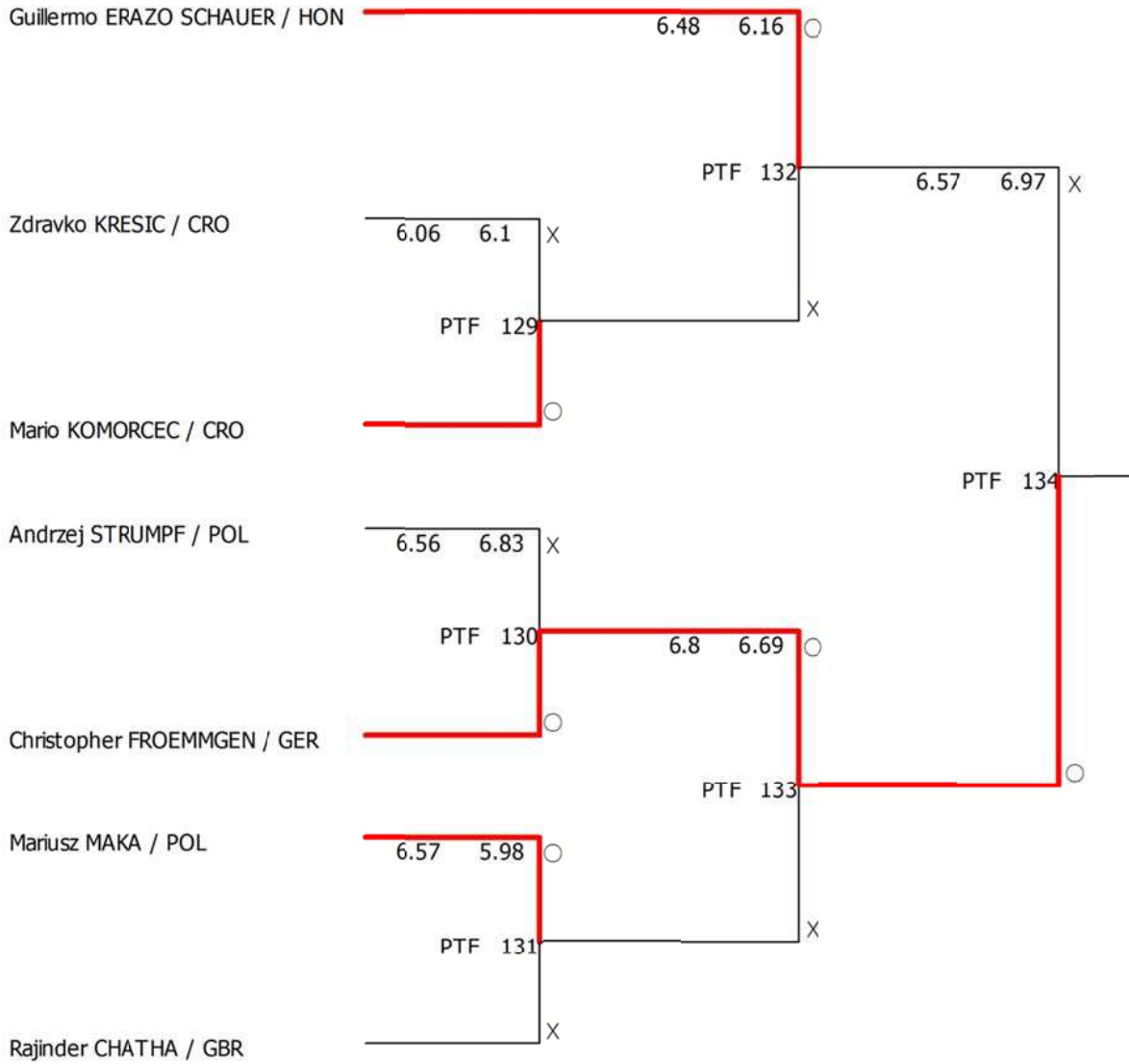
8th WORLD PARA-TAEKWONDO CHAMPIONSHIPS(Poomsae)

PARA Poomsae/P20/Female Under 30



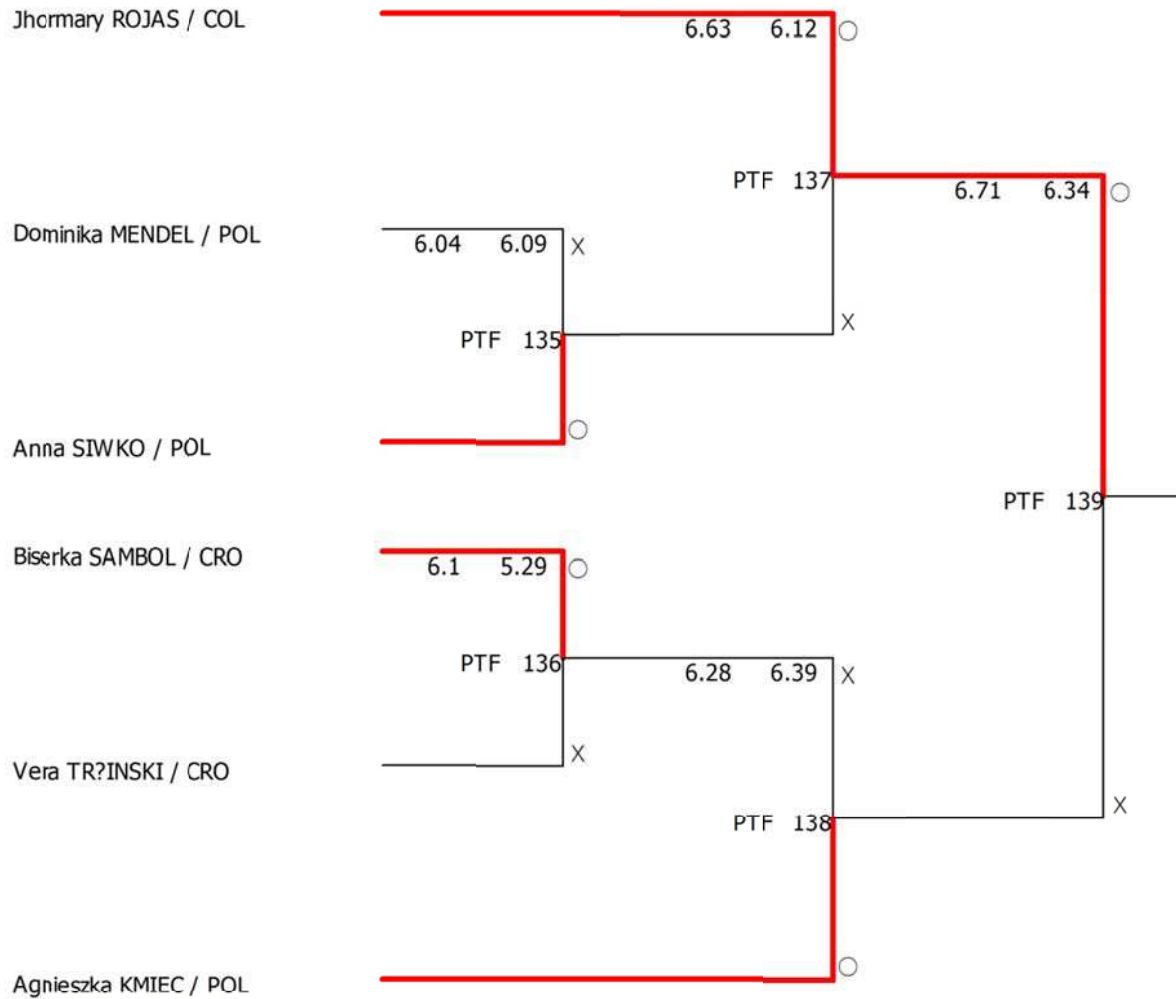
8th WORLD PARA-TAEKWONDO CHAMPIONSHIPS(Poomsae)

PARA Poomsae/P20/Male Over 30



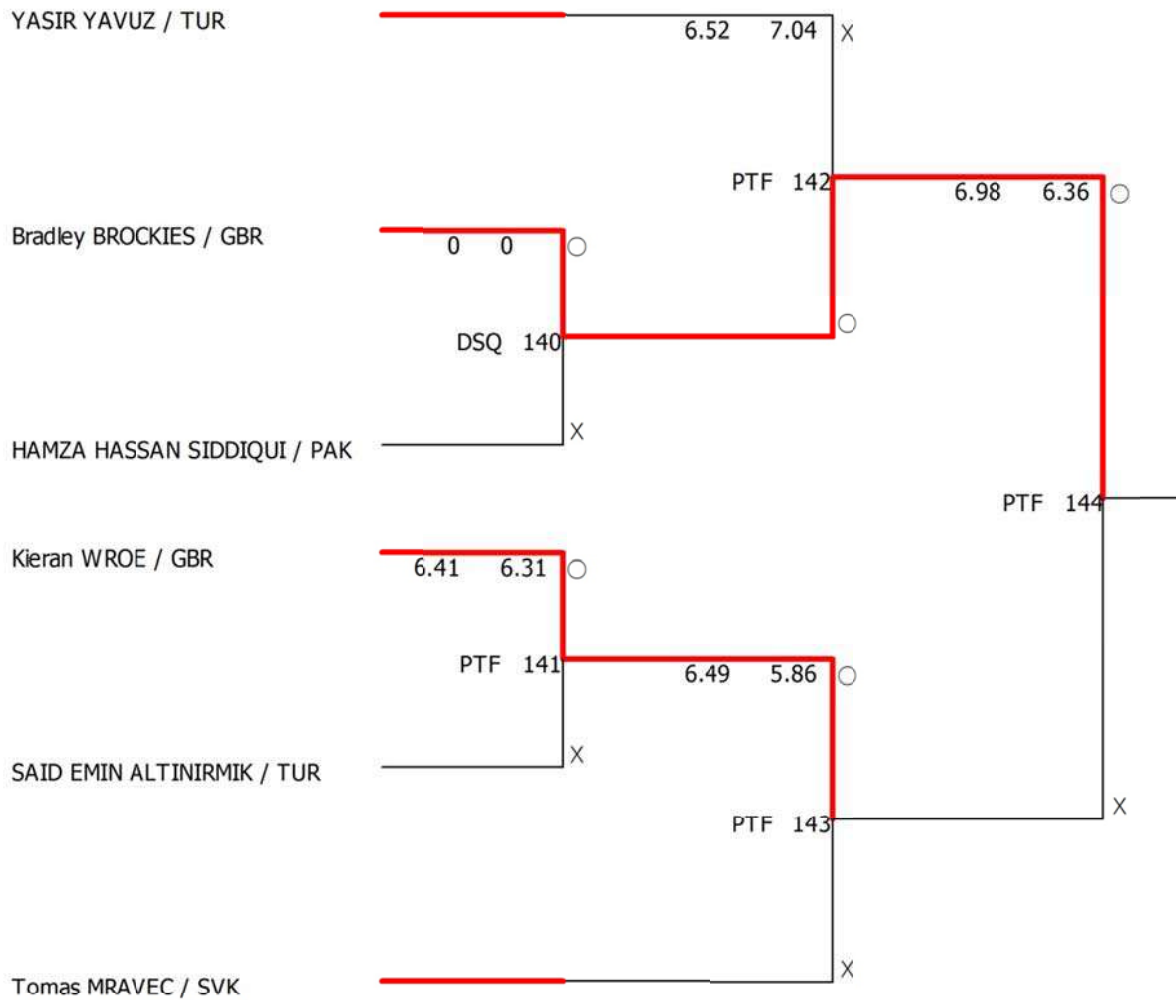
8th WORLD PARA-TAEKWONDO CHAMPIONSHIPS(Poomsae)

PARA Poomsae/P20/Female Over 30



8th WORLD PARA-TAEKWONDO CHAMPIONSHIPS(Poomsae)

PARA Poomsae/P20/Male Junior



8th WORLD PARA-TAEKWONDO CHAMPIONSHIPS(Poomsae)

PARA Poomsae/P20/Female Junior

ELIF SU PEKGOZ / TUR

5.94 6.25 X

PTF 146

FATIMA KEYSER KIDEYS / TUR

6.27 6.15 ○

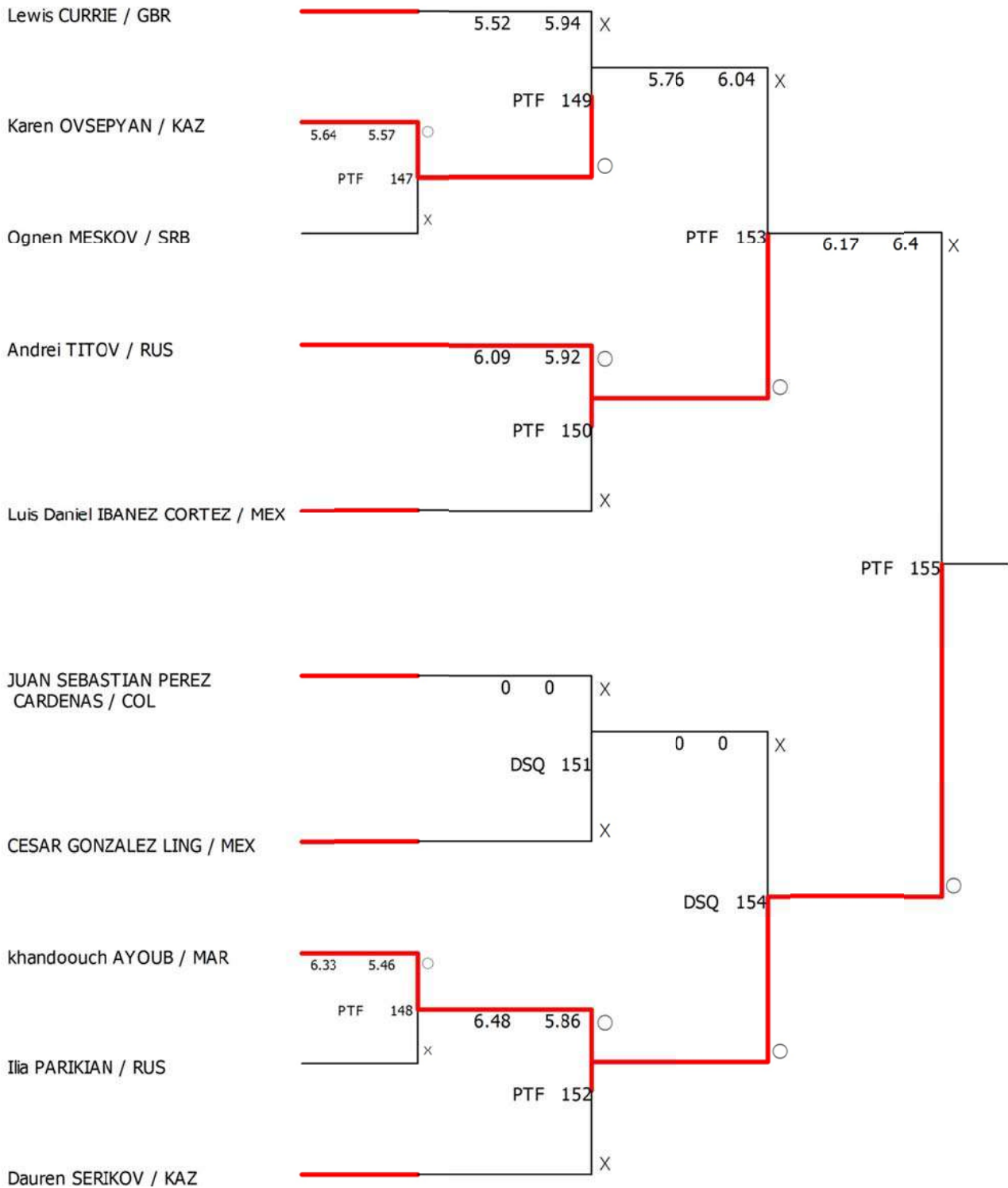
PTF 145

Hasna BEN AYAD / BEL

X

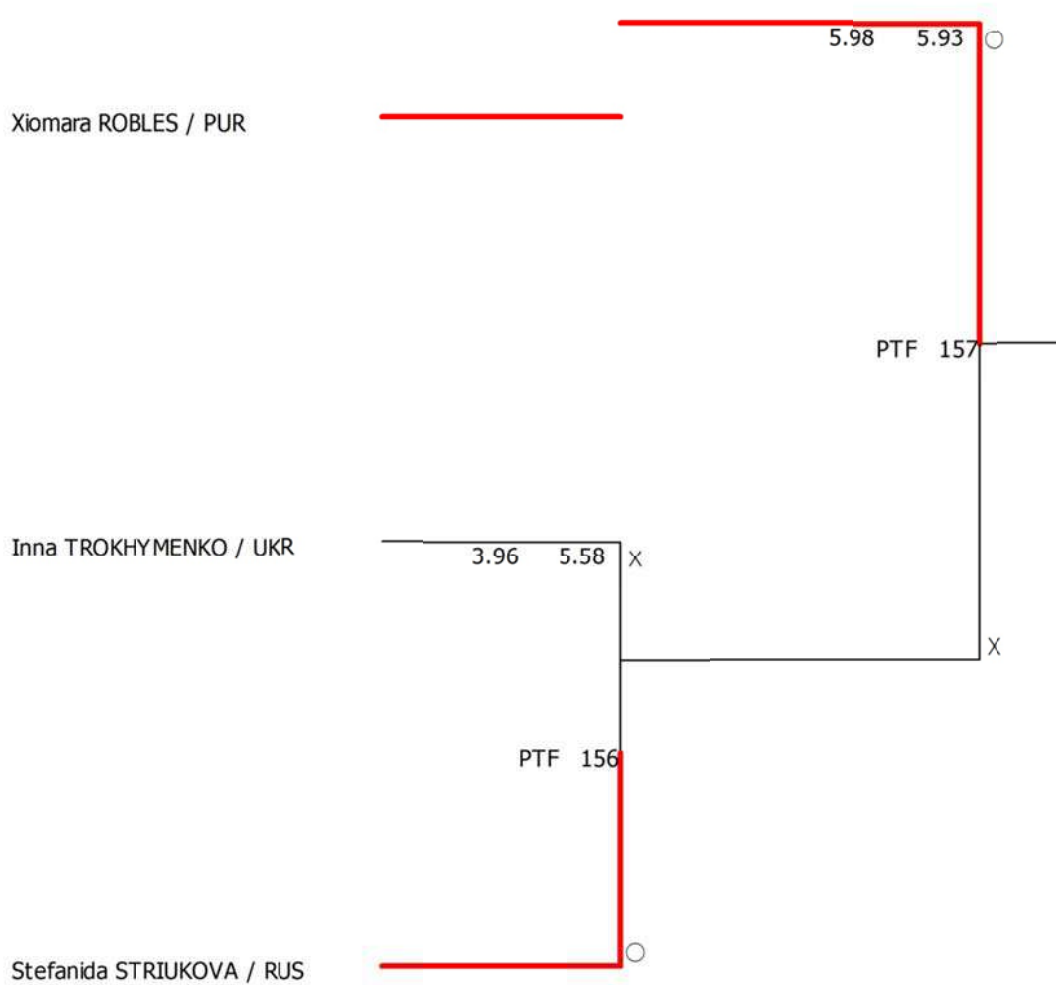
8th WORLD PARA-TAEKWONDO CHAMPIONSHIPS(Poomsae)

PARA Poomsae/P30/Male - P31



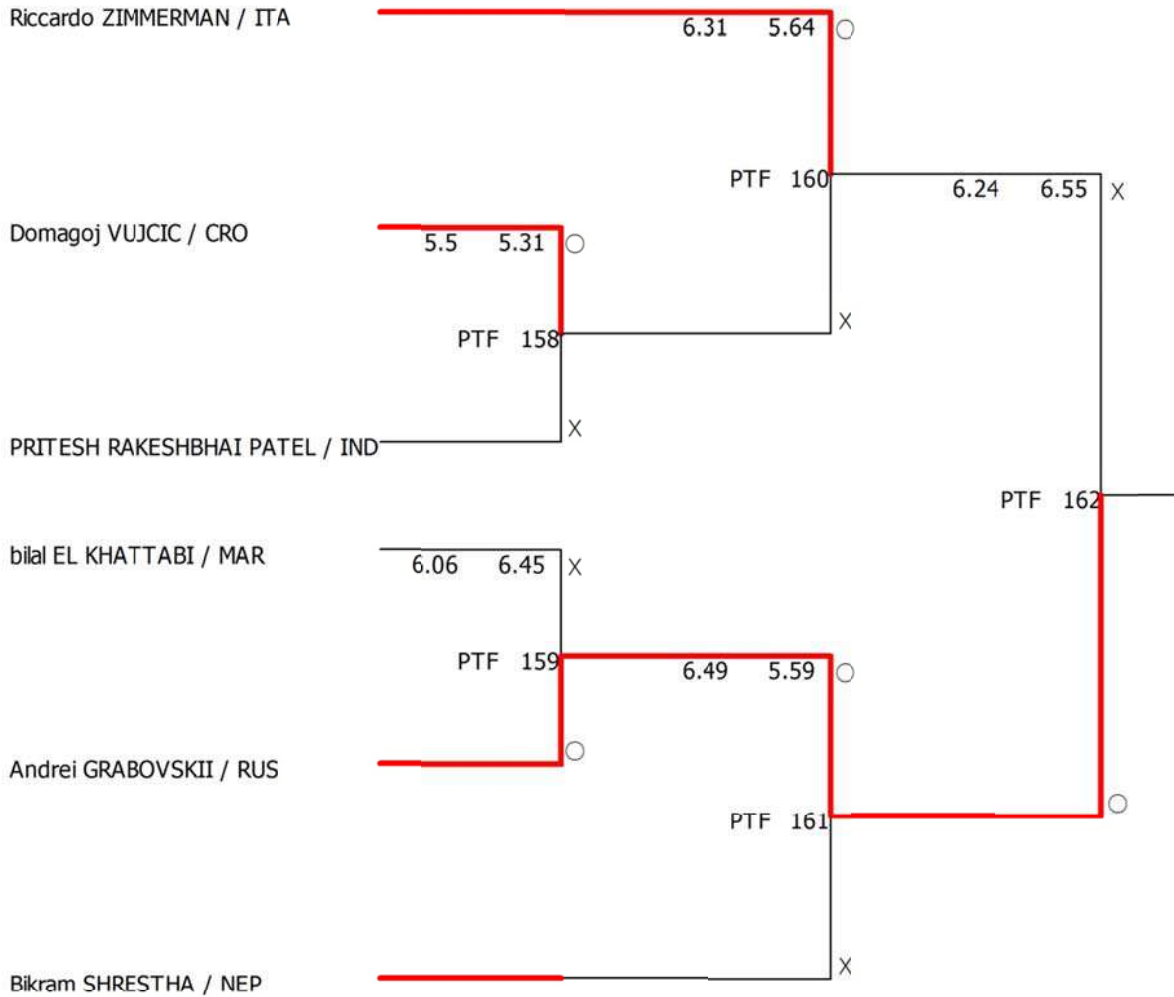
8th WORLD PARA-TAEKWONDO CHAMPIONSHIPS(Poomsae)

PARA Poomsae/P30/Female - P31



8th WORLD PARA-TAEKWONDO CHAMPIONSHIPS(Poomsae)

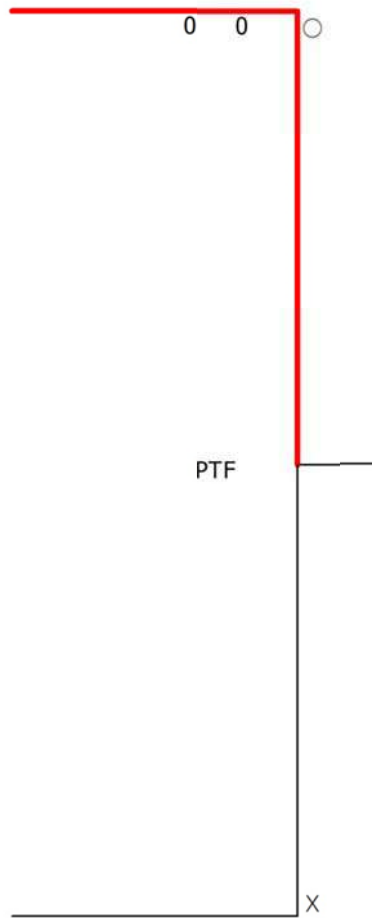
PARA Poomsae/P30/Male - P32



8th WORLD PARA-TAEKWONDO CHAMPIONSHIPS(Poomsae)

PARA Poomsae/P30/Female - P32

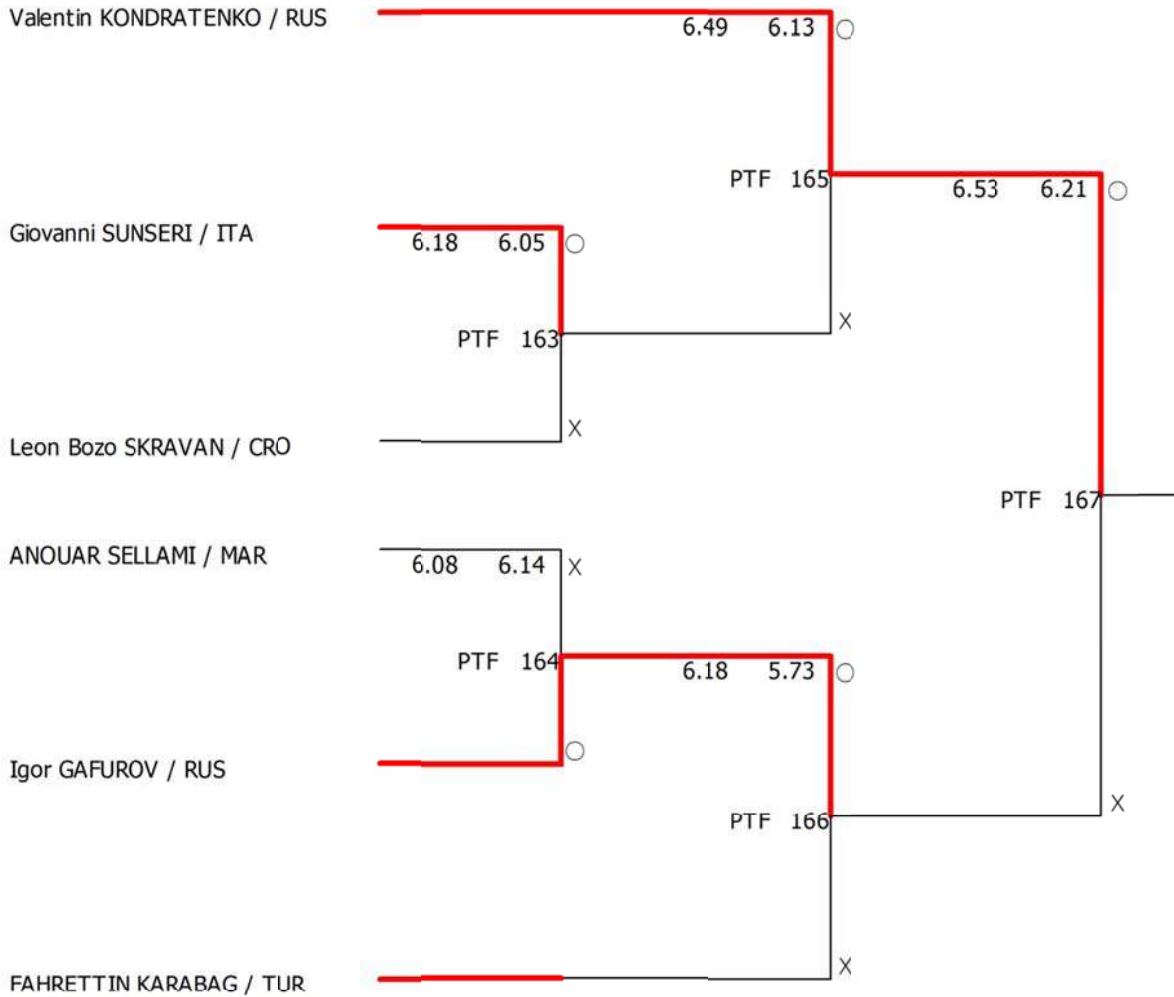
Senada HALILCEVIC / CRO



/

8th WORLD PARA-TAEKWONDO CHAMPIONSHIPS(Poomsae)

PARA Poomsae/P30/Male - P33



8th WORLD PARA-TAEKWONDO CHAMPIONSHIPS(Poomsae)

PARA Poomsae/P30/Female - P33

Iris FUENTES / USA

5.75 6.33 X

PTF 168

Samantha CARRINGTON / GBR

8th WORLD PARA-TAEKWONDO CHAMPIONSHIPS(Poomsae)

PARA Poomsae/P30/Male - P34

Aliaksandr DANILIUK / BLR

6.32 0

PTF 169

/

X

8th WORLD PARA-TAEKWONDO CHAMPIONSHIPS(Poomsae)

PARA Poomsae/P30/Female - P34

